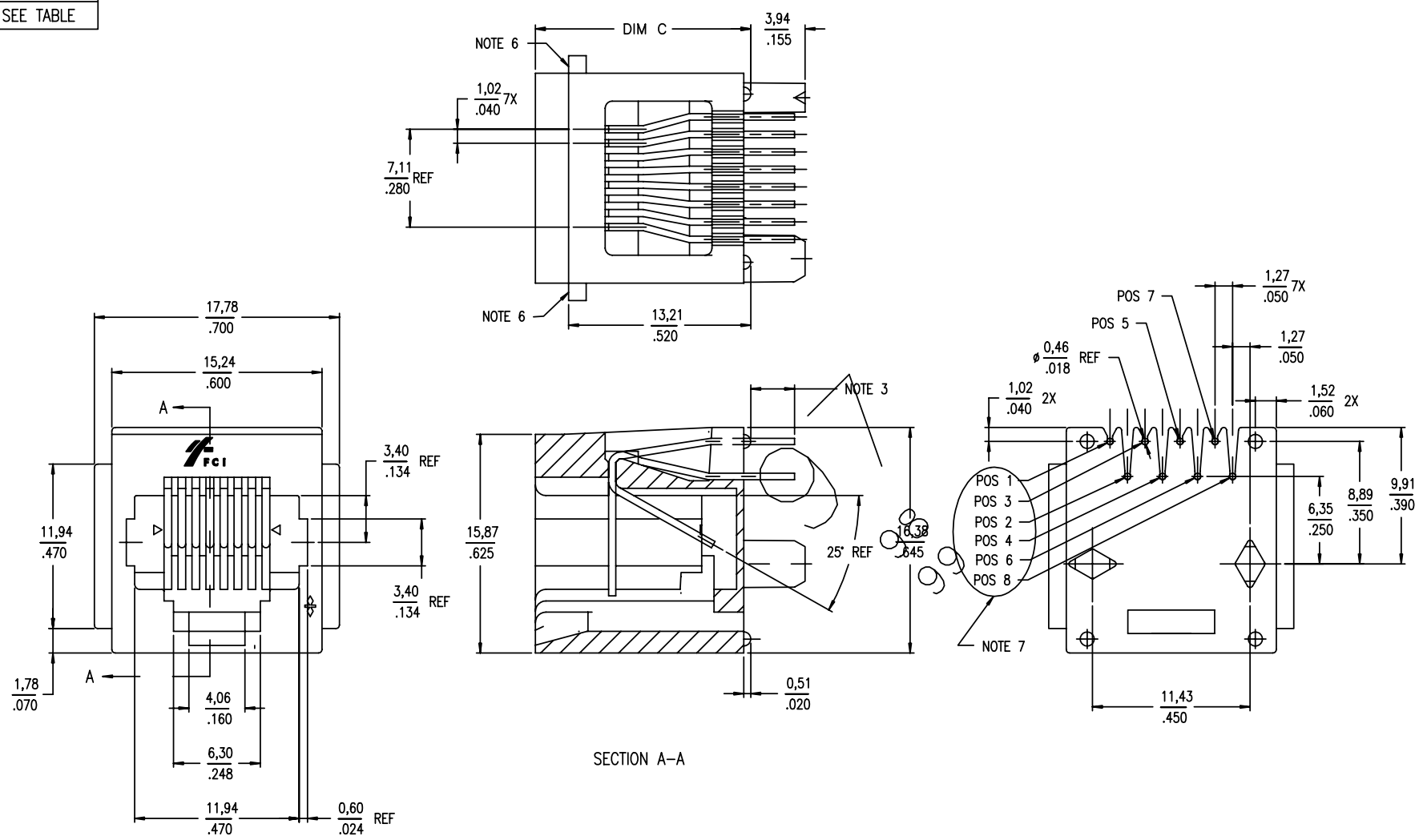


PRODUCT NO.
SEE TABLE

Tous droits strictement reserves. Reproduction ou communication a des tiers interdite sous quelque forme que ce soit sans autorisation écrite du propriétaire. Propriete de c FCI. Droits de reproduction FCI.



All rights strictly reserved. Reproduction or issue to third parties in any form whatever is not permitted without written authority from the proprietor. Property of FCI. Copyright FCI.



SECTION A-A

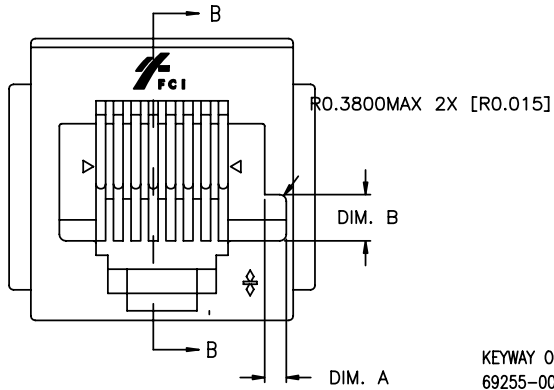
mat'l. code				tolerances unless otherwise specified		CUSTOMER COPY		www.fciconnect.com	
ltr	ecn no	dr	date	linear	.XX±.01/.X±.3			projection	title
V	S90054	BCL	4/7/99		.XXX±.005/.XX±.13		P.C.B. MOD JACK ASSY		
W	T90350	TC	2/22/00		.XXX±.0020/.XXX±.051			MM/INCH	product family
X	S00022	BCL	6/26/00	angles	0°±2'	scale	size		
Y	N00059	MC	5/25/00	dr	JANET 2/22/00			3.5:1	A
AA	N00186	MC	2/19/00	enr	M.CHENG 12/19/00				
AB	N05-0022	MHT	2/18/05	chr	M.CHENG 12/19/00				
AC	N05-0067	MHT	4/8/05	appd	M.CHENG 12/19/00				
sheet index	revision sheet	AC	AC						
		1	2						

All rights strictly reserved. Reproduction or issue to third parties in any form whatever is not permitted without written authority from the proprietor. Property of FCI. Copyright FCI.

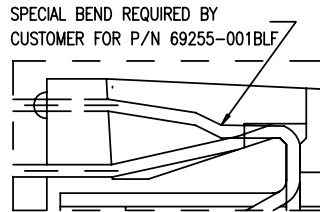


Tous droits strictement réservés. Reproduction ou communication à des tiers interdite sous quelque forme que ce soit sans autorisation écrite du propriétaire. Propriété de c FCI. Droits de reproduction FCI.

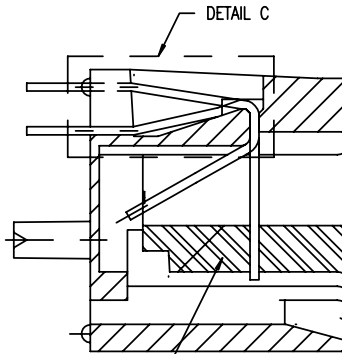
PRODUCT NO. ④	DIM. A	DIM. B	DIM. C	STYLE	POSITIONS LOADED	CONTACT PLATING ⑪	NOTES
69255-X01YLF	-	-	15.62/.615	UNKEYED	ALL	GXT	-
-X02YLF	1,25 /,050	2,69 /,106	15.62/.615	KEYED	ALL	GXT	-
-X03YLF	-	-	15.62/.615	UNKEYED	2,3,4,5,6,7	GXT	-
-X04YLF	-	-	15.62/.615	UNKEYED	ALL	0,76um / 30u" Au	-
-X05YLF	-	-	15.62/.615	UNKEYED	ALL	1,27um / 50u" Au	-
-X06YLF	1,25 /,050	2,69 /,106	15.62/.615	KEYED	ALL	1,27um / 50u" Au	-
-X07YLF	-	-	15.62/.615	UNKEYED	ALL	GXT	NOTE 1
-X08YLF	-	-	15.62/.615	UNKEYED	3,4,5,6	GXT	-
-X09YLF	-	-	15.62/.615	UNKEYED	ALL	GXT	NOTE 6
-X10YLF	-	-	13.62/.536	UNKEYED	ALL	GXT	NOTE 6



KEYED STYLE

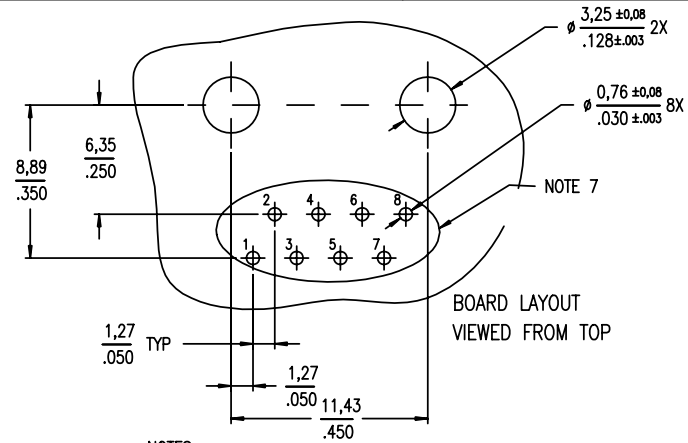


DETAIL C
(OPTIONAL DESIGN)



SECTION B-B

KEYWAY OPTION ON
69255-002LF & -006LF ONLY.



BOARD LAYOUT
VIEWED FROM TOP

NOTES :

- ① SPECIAL PACKAGING.
- 2 GXT IS 0,76um / 30u" MIN GXT WITH Au FLASH OVER
1,27um / 50u" MIN Ni.
- ③ SOLDER TAIL LENGTH :
X = 0 [3,18 ±0,51 / .125 ±.020]
X = 1 [8,13 ±0,51 / .320 ±.020]
X = 2 [5,30 ±0,51 / .208 ±.020]
X = 3 [3,70 ±0,51 / .145 ±.020]
[FOR X = 1 TO 2 , WIRE TRUE POSITION IS NOT APPLICABLE.]
[PACKAGING SPEC. IS GES-14-428]
- ④ COLOR OF HOUSING :
Y = NIL (BLACK HOUSING)
Y = W (WHITE, RAL1013 HOUSING)
- ⑤ SPECIAL REQUIREMENT :
SEE DETAIL C FOR P/N 69255-001B
FOR FEATURE DETAILS.
- ⑥ NO PANEL STOPS ON -X09Y AND -X10Y.
- ⑦ THIS PIN NUMBERING OPPOSITE TO
FCC, PART 68, SUB-PART F REQUIREMENTS
- ⑧ PART NUMBERS WITH LF IN THE END ARE LEAD FREE.
- 9 THIS PRODUCT MEETS EUROPEAN UNION DIRECTIVES AN OTHER COUNTRY
REGULATION AS DESCRIBED IN GS-22-008.
- 10 THE HOUSING TEMPERATURE WITHSTAND EXPOSURE TO 260°C PEAK
TEMPERATURE FOR 15 SECONDS IN A WAVE SOLDER APPLICATION WITH A
1.5 MM MINIMUM THICK CIRCUIT BOARD. SEE APPLICATION NOTES/PROCEDURES
IF THEY ARE AVAILABLE.
- ⑪ PLATING OPTION:
MAY BE EITHER GOLD OR GXT PLATED AT MANUFACTURER'S OPTION.

mat'l. code				tolerances unless otherwise specified		CUSTOMER COPY		FCI	
ltr	ecn no	dr	date	linear	.XX±.01/.X±.3		projection	www.fciconnect.com	
AC					.XXX±.005/.XX±.13			title	8 POS VERTICAL
				angles	.XXX±.0020/.XXX±.051		product family		MODJACK
					0°±2'			size	69255
				dr	JANET	2/22/00	scale		code
				enr	M.CHENG	12/19/00		3.5:1	sheet
				chr	M.CHENG	12/19/00	A		2 of 2
				appd	M.CHENG	12/19/00			
sheet index	revision sheet								